

# Tailift

## L5.0-10 ton I.C. FORKLIFT TRUCKS



# GLOBAL FACILITIES



### North America

Sales Branch in LA,USA(2008)  
 1.Employees: 10  
 2.Space: 18,000 Sqm<sup>2</sup>



### China(Global Power)

Factory in Qingdao,China(1992)  
 1.Employees: 700  
 2.Space: 60,000 Sqm<sup>2</sup>



### Taiwan(Headquarter)

Factory in Nantou,Taiwan(1996)  
 1.Employees: 320  
 2.Space: 20,000 Sqm<sup>2</sup>



**QINGDAO**



TAIWAN



USA





## Sufficient Performance



**Durable hydraulic steering system**  
The hydraulic system delivers light steering, quick and accurate response and a small turning radius.



**Electronic Accelerator Pedal**  
Offering controllable engine speed and quick response to shorten timing of accelerating.

## Productivity



### Mast Lock System (option)

The mast lock system automatically locks all lifting and tilting functions when the operator gets off the seat.



# L5.0-10 ton Strong Dur

I.C. FORKLIFT TRUCKS

## Safety

### Adjustable steering column

The steering column can be adjusted to accommodate any size operator in comfort.



### Deluxe Suspension seat (option)



The Grammer suspension seat allow greater range of tilting and fore/aft adjustment as well as weight adjustment to accommodate all size operators.

### Stable double front wheel



# able Productivity



## Comfortable

### Wide visual head guard



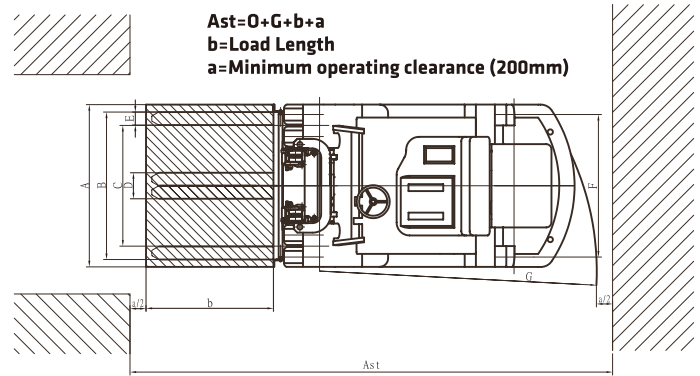
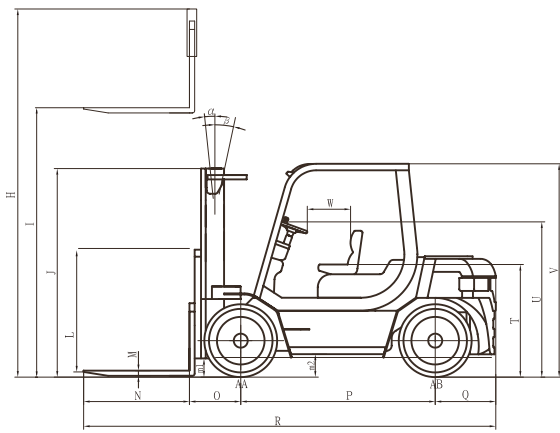
Clear visibility is maintained through the heavy-duty safety cage.

### Wide angle rear-view mirror



### Easy entry and exit

Ergonomic design to provide safety entry and exit from the cab.



## Specification

CHARACTERISTICS	Manufacturer			Tailift	Tailift	Tailift	Tailift	Tailift
	Model			FDL50	FD60	FD70	FD80	FD100
	Capacity	load	kg	5000	6000	7000	8000	10000
	Load center	distance	mm	600	600	600	600	600
	Power Type			Diesel	Diesel	Diesel	Diesel	Diesel
	Operation type			Seated	Seated	Seated	Seated	Seated
	Tire type	P=Pneumatic S=Solid	front / rear	P/P	P/P	P/P	P/P	P/P
	Lift		I mm	3000	3000	3000	3000	3000
	DIMENSIONS	Fork dimension	lxwxh	mm	1220x150x60	1220x150x60	1220x150x65	1370x150x75
Mast tilting angle		front / rear	α/β Deg	6°-12°	6°-12°	6°-12°	6°-12°	6°-12°
Rear distance			Q mm	620	695	755	790	790
Forks width (out to out)			B mm	1700	1700	1700	1900	2000
Overall width			A mm	2040	2040	2040	2060	2260
Mast height		lowered	J mm	2500	2500	2625	2625	2850
Overhead guard height			V mm	2450	2450	2450	2520	2540
Turning radius			G mm	3270	3320	3385	3800	4100
Mast height extended		without bracket	H mm	4390	4390	4385	4035	4235
Load distance		(from center of front axle)	O mm	590	590	590	715	715
Load bracket		height of load bracket	L mm	1430	1430	1430	1100	1320
Overall length			R mm	4680	4755	4815	5475	5675
Ground clearance		center of wheelbase	m2 mm	245	245	245	260	315
Ground clearance	at lowest point	m1 mm	200	200	200	260	240	
PERFORMANCE	Speed	travel ( load / unladen)	km/h	26/28	26/28	26/28	20.5/25	24/30
		lift ( load / unladen)	mm/s	520/550	520/550	520/550	328/472	320/390
		lowering ( load / unladen)	mm/s	Unladen>=300			load<=600	
	Drawbar pull	load	kg	5400	5400	5400	5400	5400
	Gradeability	load / unladen	%	20/20	20/20	20/20	20/20	20/20
Self-Weight		kg	8300	8800	9300	10600	12800	
CHASSIS	Wheels (X: driven)	front / rear		4x/2				
	Tire dimension	front	AA	8.25-15-14PR	8.25-15-14PR	8.25-15-14PR	8.25-20-14PR	9.00-20-14PR
		rear	AB	8.25-15-14PR	8.25-15-14PR	8.25-15-14PR	9.00-16-14PR	9.00-20-14PR
	Wheelbase		P mm	2250	2250	2350	2600	2800
	Tread	front / rear	C/F mm/mm	1475/1700	1475/1700	1475/1700	1530/1700	1600/1700
Service brake	operation / control		Hydraulic					

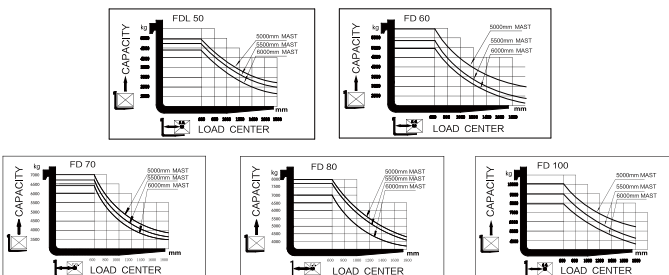
**\*This is only for reference and not subject to notice in advance if there is any modification.**

## Engine

Model		FDL50 / FD60 / FD70 / FD80 / FD100
Engine model		ISUZU 6BG1
Rated output	kw/rpm	82/2000
Torque	N.m/rpm	415/1400-1600
Displacement	L	6.5
Type		Automatic
Cylinder no.		2/2

Model	Overall height			Free lift	Tilt Angle		Load center@600		
	Meter	Lower	Extended with backrest				W/O sideshift	With sideshift	
									mm
FDL50	Mast type : 2 stage								
	3000	2500	4420	180	6	12	5000	4430	
	3300	2650	4720	180	6	12	5000	4430	
	3500	2750	4920	180	6	12	5000	4430	
	3750	2875	5170	180	6	12	5000	4430	
	4000	3050	5520	180	6	12	5000	4430	
	4250	3175	5770	180	6	12	5000	4430	
	4500	3300	6020	180	6	12	5000	4430	
	4750	3425	6270	180	6	6	5000	4430	
	5000	3550	6520	180	6	6	5000	4430	
	5500	3850	7120	180	3	6	4700	4151	
	6000	4100	7620	180	3	6	4300	3872	
	Mast type : 2 stage FFL								
	3000	2500	4400	1528	6	12	5000	4430	
	3300	2650	4700	1678	6	12	5000	4430	
	3500	2750	4900	1778	6	12	5000	4430	
	3750	2875	5150	1903	6	12	5000	4430	
	4000	3050	5400	2078	6	12	5000	4430	
	4250	3175	5650	2203	6	12	5000	4430	
	4500	3300	5900	2328	6	12	5000	4430	
	4750	3425	6150	2453	6	6	5000	4430	
	5000	3550	6400	2578	6	6	5000	4430	
	5500	3850	7120	180	3	6	4700	4151	
	6000	4100	7620	180	3	6	4300	3872	
	Mast type : 3 stage FFL								
	4350	2655	6495	2376	6	6	4600	4058	
	4500	2705	6645	2426	6	6	4600	4058	
	4800	2810	6960	2530	6	6	4600	4058	
	5000	2875	7160	2600	3	6	4600	4058	
	5400	3010	7560	2730	3	6	4300	3779	
	6000	3210	8160	2930	3	6	4000	3500	
	FD60	Mast type : 2 stage							
		3000	2500	4420	180	6	12	6000	4430
		3300	2650	4720	180	6	12	6000	4430
		3500	2750	4920	180	6	12	6000	4430
		3750	2875	5170	180	6	12	6000	4430
4000		3050	5520	180	6	12	6000	4430	
4250		3175	5770	180	6	12	6000	4430	
4500		3300	6020	180	6	12	6000	4430	
4750		3425	6270	180	6	6	6000	4430	
5000		3550	6520	180	6	6	6000	4430	
5500		3850	7120	180	3	6	4700	4151	
6000		4100	7620	180	3	6	4400	3872	
Mast type : 2 stage FFL									
3000		2500	4400	1528	6	12	6000	4430	
3300		2650	4700	1678	6	12	6000	4430	
3500		2750	4900	1778	6	12	6000	4430	
3750		2875	5150	1903	6	12	6000	4430	
4000		3050	5400	2078	6	12	6000	4430	
4250		3175	5650	2203	6	12	6000	4430	
4500		3300	5900	2328	6	12	6000	4430	
4750		3425	6150	2453	6	6	6000	4430	
5000		3550	6400	2578	6	6	6000	4430	
5500		3850	7120	180	3	6	4700	4151	
6000		4100	7620	180	3	6	4400	3872	
Mast type : 3 stage FFL									
4350		2655	6495	2376	6	6	4600	4058	
4500		2705	6645	2426	6	6	4600	4058	
4800		2810	6960	2530	6	6	4600	4058	
5000		2875	7160	2600	3	6	4600	4058	
5400		3010	7560	2730	3	6	4300	3779	
6000		3210	8160	2930	3	6	4000	3500	

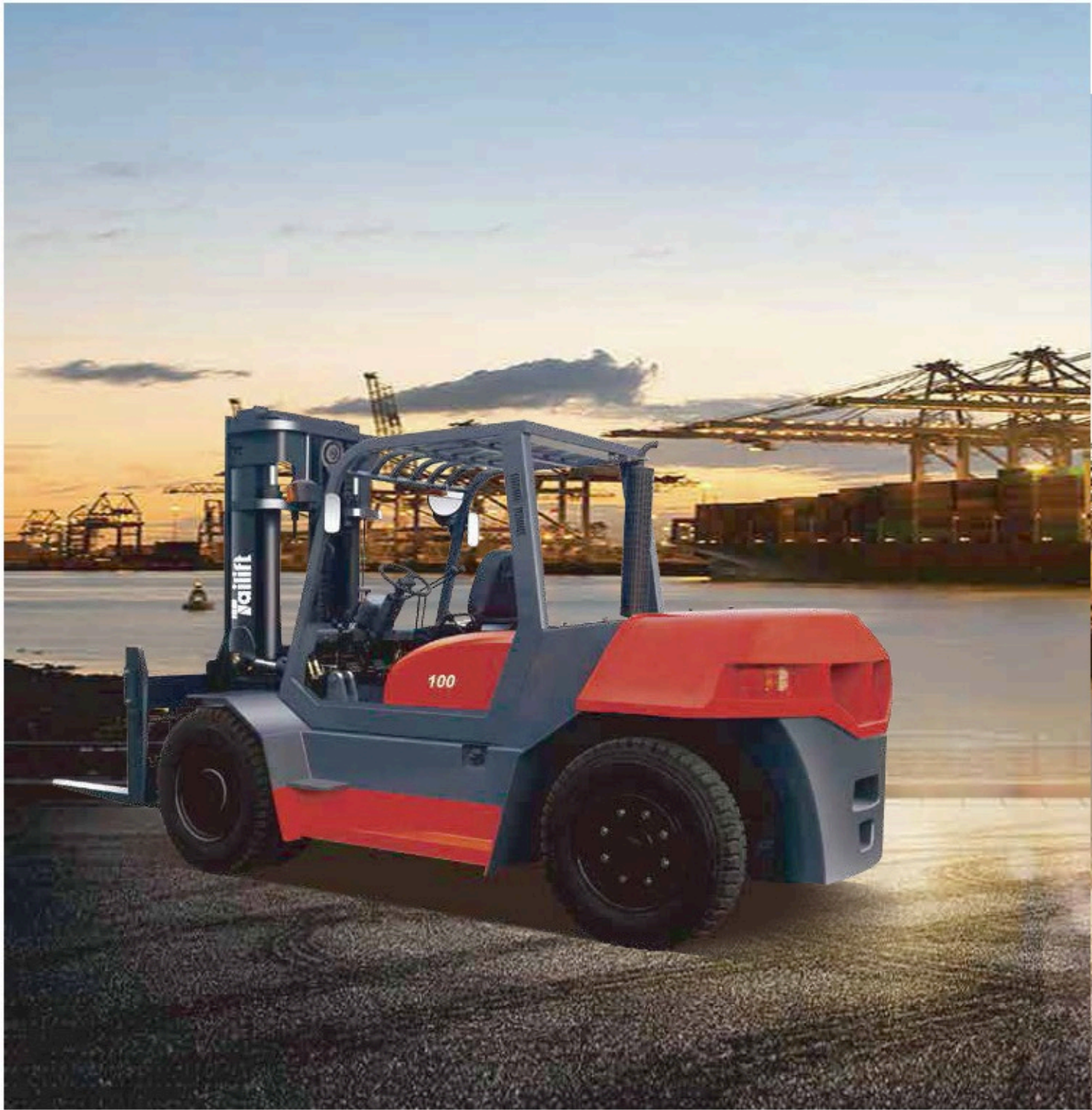
Model	Overall height			Free lift	Tilt Angle		Load center@600		
	Meter	Lower	Extended with backrest				W/O sideshift	With sideshift	
									mm
FD70	Mast type : 2 stage								
	3000	2615	4420	170	6	12	7000	6360	
	3300	2765	4720	170	6	12	7000	6360	
	3500	2865	4920	170	6	12	7000	6360	
	3750	2990	5170	170	6	12	7000	6360	
	4000	3165	5520	170	6	12	7000	6360	
	4250	3290	5770	170	6	12	7000	6360	
	4500	3415	6020	170	6	12	7000	6360	
	4750	3540	6270	170	6	6	7000	6360	
	5000	3665	6520	170	6	6	7000	6360	
	5500	3965	7120	170	3	6	6600	5988	
	6000	4215	7620	170	3	6	6400	5802	
	Mast type : 2 stage FFL								
	3000	2615	4400	1528	6	12	7000	6360	
	3300	2765	4700	1678	6	12	7000	6360	
	3500	2865	4900	1778	6	12	7000	6360	
	3750	2990	5150	1903	6	12	7000	6360	
	4000	3165	5400	2078	6	12	7000	6360	
	4250	3290	5650	2203	6	12	7000	6360	
	4500	3415	5900	2328	6	12	7000	6360	
	4750	3540	6150	2453	6	6	7000	6360	
	5000	3665	6400	2578	6	6	7000	6360	
	5500	3965	7120	170	3	6	6600	5988	
	6000	4215	7620	170	3	6	6400	5802	
	Mast type : 3 stage FFL								
	4350	2655	5150	2376	6	6	6500	5895	
	4500	2705	5250	2426	6	6	6500	5895	
	4800	2810	5460	2530	6	6	6500	5895	
	5000	2875	5595	2600	3	6	6500	5895	
	5400	3010	5860	2730	3	6	6200	5616	
	6000	3210	6260	2930	3	6	5800	5244	
	FD80	Mast type : 2 stage							
		3000	2685	4420	160	6	12	8000	7290
		3300	2835	4720	160	6	12	8000	7290
		3500	2935	4920	160	6	12	8000	7290
		3750	3060	5170	160	6	12	8000	7290
4000		3235	5520	160	6	12	8000	7290	
4250		3360	5770	160	6	12	8000	7290	
4500		3485	6020	160	6	12	8000	7290	
4750		3610	6270	160	6	6	7750	7058	
5000		3735	6520	160	6	6	7750	7058	
5500		4035	7120	160	3	6	7400	6732	
6000		4285	7620	160	3	6	7000	6360	
Mast type : 2 stage FFL									
2500		2435	3986	1250	6	12	8000	7290	
Mast type : 3 stage FFL									
4350		2820	5615	1490	6	12	7650	8000	
4500		2865	5765	1540	6	6	7650	8000	
4800		2970	6065	1640	6	6	7180	7500	
5000		3070	6260	1705	6	6	7180	7500	
5400		3235	6680	1895	6	6	6700	7000	
6000		3435	7280	2095	3	6	5750	6000	
FD100		Mast type : 2 stage							
		3000	2840	4330	150	6	12	10000	9100
		3300	2990	4630	150	6	12	10000	9100
		3500	3090	4830	150	6	12	10000	9100
		3750	3215	5080	150	6	12	10000	9100
		4000	3390	5430	150	6	12	10000	9100
		4250	3515	5680	150	6	12	10000	9100
		4500	3640	5930	150	6	12	10000	9100
		4750	3765	6180	150	6	6	10000	8800
		5000	3890	6430	150	6	6	10000	8800
		5500	4190	7030	150	3	6	9000	8400
		6000	4440	7530	150	3	6	8000	7950
		Mast type : 3 stage FFL							
		4350	2840	5665	1490	6	12	8000	7650
		4500	2885	5815	1540	6	6	8000	7650
	4800	2990	6115	1640	6	6	7500	7180	
	5000	3090	6310	1705	6	6	7500	7180	
	5400	3255	6730	1895	6	6	7000	6700	
	6000	3455	7330	2095	3	6	6000	5750	
	7000	3900	8330	2429	3	6	4500	4200	





# **FORKLIFT TRUCK**

## **LIFT YOUR FUTURE**



### **Tailift Material Handling Taiwan Co.Ltd.**

No.5 Zili 1st RD. Nankang Industrial Zone, Nantou city, Taiwan  
Tel: +886-49-2263-800 Fax: +886-49-2252-800  
Web: [www.tailift.com.tw](http://www.tailift.com.tw) E-mail: [insales@tailift.com.tw](mailto:insales@tailift.com.tw)

### **Tailift Machinery&Equipment(Qingdao) Co.Ltd. Global-Power Co.,Ltd**

Jiaozhou Bay Yinghai Industrial Park, Qingdao city, Shandong, China  
Tel:+86-532-852-63666 Fax:+86+532-852-63550  
Web: [www.tailift.com.cn](http://www.tailift.com.cn) E-mail: [sales@tailift.com.cn](mailto:sales@tailift.com.cn)

**DOC.S/N:DEB077 Edition:02**