

TRUCK SPECIFICATIONS

9L PLUS II 1.8~3.5 TON

		PFG18	PFG18	PFD20	PFG20	PFD25	PFG25	PFD30	PFG30	PFD35	PFG35
CHARACTERISTICS											
Capacity	Q Load	kg	1800	2000	2500	3000	3500				
Load Center	C Distance	mm	500	500	500	500	500				
Power Type	Diesel, Gasoline, LPG		Diesel Gasoline/LPG	Diesel Gasoline/LPG	Diesel Gasoline/LPG	Diesel Gasoline/LPG	Diesel Gasoline/LPG	Diesel Gasoline/LPG	Diesel Gasoline/LPG	Diesel Gasoline/LPG	Diesel Gasoline/LPG
Operation Type	Pedestrian, Stand, Sit		Sit	Sit	Sit	Sit	Sit	Sit	Sit	Sit	Sit
Tire Type	P=Pneumatic, S=Solid	F/R	P / P	P / P	P / P	P / P	P / P	P / P	P / P	P / P	P / P
Wheels (X:driven)	Number	F/R	2X / 2	2X / 2	2X / 2	2X / 2	2X / 2	2X / 2	2X / 2	2X / 2	2X / 2

DIMENSIONS											
Lift At 3-Stage Mast	h3	Lift	mm	3000	3000	3000	3000	3000			
	h2	Standard Free Lift	mm	0	0	0	0	0			
Load Bracket	h8	Height Of Load Bracket	mm	1220	1220	1220	1220	1220			
Fork Size		Thickness(s)xWidth(e)xLength(l)	mm	35 x 100 x 1070	40 x 122 x 1070	40 x 122 x 1070	45 x 122 x 1070	50 x 122 x 1070			
Mast Tilting Angle		Forward(α)/Back(β)	deg	6° / 12°	6° / 12°	6° / 12°	6° / 12°	6° / 12°			
Overall Dimensions	L2	Length To Face Of Forks	mm	2285	2600	2600	2755	2885			
	B	Total Width/Dual	mm	1065	1152 / 1562	1152 / 1562	1271 / 1681	1271 / 1681			
	h1	Mast Height Lowered	mm	2008	2005	2005	2029	2029			
	h4	Mast Height Extended	mm	4220	4220	4220	4220	4220			
	h6	Overhead Guard Height	mm	2120	2130	2130	2170	2170			
	h7	Seat Height	mm	1110	1130	1130	1140	1140			
	R	Turning Radius	mm	2100	2230	2230	2400	2600			
Load Distance	X	From Center Of Front Axle	mm	430	500	500	510	515			
Aisle Width	Ast	For Load 800x1200 / 1000x1200	mm	3530 / 3730	3730 / 3930	3730 / 3930	3910 / 4110	4115 / 4315			

CHASSIS											
Tire Size	Wheels	F/R	2 / 2	2 / 2	2 / 2	2 / 2	2 / 2	2 / 2			
	Front		6.50-10-10PR.	7.00-12-12PR.	7.00-12-12PR.	8.15-15-14PR.	8.15-15-14PR.				
	Rear		5.00-8-8PR.	6.00-9-10PR.	6.00-9-10PR.	6.50-10-10PR.	6.50-10-10PR.				
Wheelbase	Y	mm	1370	1550	1550	1650	1850				
Tread	Center Of Tires Front Std (Dual)	mm	900	970 (1344)	970 (1344)	1055 (1459)	1055 (1459)				
	Center Of Tires Rear	mm	925	985	985	985	985				
Ground Clearance	m1 At Lowest Point	mm	120	120	120	120	120				
	m2 Center Of Wheelbase	mm	180	195	195	220	220				
Service Brake	Operation/Control		Hydraulic	Hydraulic	Hydraulic	Hydraulic	Hydraulic				
Parking Brake	Operation/Control		Hand	Hand	Hand	Hand	Hand				

POWER

		PFD18/20/25	PFD20/25/30/35	PFD18/25/30/35	PFG18/20/25/30/35	PFG20/25/30/35	
Battery	Type	65D26R	115D31R	115D31R	EFB-130D31L	115D31R	
	Voltage	12	12	12	12	12	
	Capacity	Ah/Shr	52	64	64	85AH/20HR	64
	Dimension (LxWxH)	mm	260x173x225	306x173x225	306x173x225	305x173x202	260x173x225
	Weight	kg	17.4	22.6	22.6	22	17.4
Engine	Manufacturer	ISUZU	ISUZU	YANMAR	KUBOTA	KUBOTA	
	Model	C240PKF-23	4JG2	4TNE94	V2403-CR	WG2503-L-E3	
	Rated Speed	rpm	2500	2450	2200	2400	2700
	Rated Output	kW	34.6	44.8	34.2	42.6	46
	Cylinders No./Displacement	No./c.c.	4/2369	4/3059	4/3054	4/2434	4/2491
	Fuel Consumption	g/kWh	292@2500	265@2450	260@2200	239@2400	273.1@2700
	Type	Power	Power	Power	Power	Power	Power
Transmission	Type	Power	Power	Power	Power	Power	
	Stage Fwd./Rev.	no.	1 / 1	1 / 1	1 / 1	1 / 1	
Service Pressure		kgf/cm ²	185	185	185	185	

* This is only for reference and not subject to notice in advance if there is any modification.

DOC. S/N : DEB076-08



TAIWAN

Tailift Material Handling USA Inc.

Head Office
No.5, ZiLi 1st Rd., Nankang Ind. Zone,
Nantou City 540, Taiwan R.O.C

TEL: +886-49 226 3800

FAX: +886-49 225 2919

E-Mail: insales@tailift.com.tw

www.tailift.com

Taichung Office

No.269, Section 1, Shein Lin Rd., Taya
Dist., Taichung City 428, Taiwan R.O.C

TEL: +886-4 2565 8816

FAX: +886-4 2565 8817

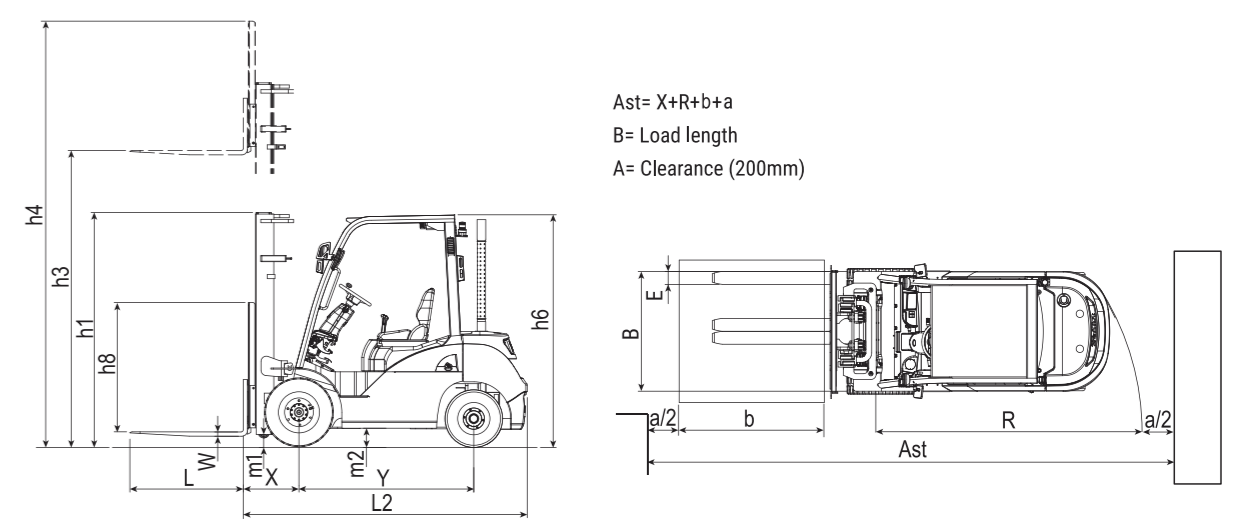


IC COUNTERBALANCE TRUCK 9L PLUS II 1.8~3.5 TON

MAST SPECIFICATIONS

Mast Type	Mast Height (Max. Fork Height) in (mm)	Overall Height				Free Lift		Tilt Range		Load Capacity	
		Lowered in (mm)	Extended		Without STD Backrest in (mm)	With STD Backrest in (mm)	FWD deg	BWD deg	Load Center at 24 in (600mm)		
			Without STD Backrest in (mm)	With STD Backrest in (mm)					With Sideshift Single Tire lb (kg)		
PFD18 / PFG18											
2 Stage	130 (3300)	86.9 (2208)	158.2 (4019)	178.0 (4520)	(0.0) 0	0 (0)	6	12	3600 (1650)		
	157 (4000)	100.7 (2558)	185.8 (4719)	205.5 (5220)	(0.0) 0	0 (0)	6	6	3600 (1650)		
2 Stage (FFL)	130 (3300)	86.9 (2208)	151.3 (3844)	178.0 (4520)	54.9 (1395)	35.2 (895)	6	12	3600 (1650)		
	157 (4000)	75.7 (1951)	185.5 (4711)	205.2 (5212)	45.9 (1165)	26.2 (665)	6	6	3410 (1550)		
3 Stage (FFL)	177 (4500)	82.3 (2118)	205.1 (5209)	224.8 (5710)	52.2 (1325)	32.5 (825)	6	6	3300 (1500)		
	189 (4800)	86.2 (2218)	218.1 (5539)	237.8 (6040)	56.1 (1425)	36.4 (925)	6	6	3260 (1480)		
PFD25 / PFG25											
2 Stage	130 (3300)	86.8 (2205)	158.2 (4019)	178.0 (4520)	0.0 (0)	0.0 (0)	6	12	5000 (2350)		
	157 (4000)	100.6 (2555)	185.8 (4719)	205.5 (5220)	0.0 (0)	0.0 (0)	6	6	5000 (2350)		
2 Stage (FFL)	130 (3300)	86.8 (2205)	151.3 (3844)	178.0 (4520)	42.5 (1080)	37.2 (945)	6	12	5000 (2350)		
	157 (4000)	76.7 (1948)	178.6 (4536)	205.2 (5212)	38.3 (972)	26.7 (678)	6	6	4950 (2250)		
3 Stage (FFL)	177 (4500)	83.3 (2115)	198.2 (5034)	224.8 (5710)	44.8 (1138)	33.3 (845)	6	6	4840 (2200)		
	189 (4800)	87.2 (2215)	211.2 (5364)	237.8 (6040)	48.7 (1238)	37.2 (945)	6	6	4620 (2100)		
PFD30 / PFG30											
2 Stage	130 (3300)	87.8 (2229)	158.4 (4023)	178.0 (4520)	0.0 (0)	0.0 (0)	6	12	6000 (2700)		
	157 (4000)	101.5 (2579)	185.9 (4723)	205.5 (5220)	0.0 (0)	0.0 (0)	6	6	6000 (2700)		
2 Stage (FFL)	130 (3300)	87.8 (2229)	155.0 (3938)	178.0 (4520)	42.5 (1080)	37.2 (945)	6	12	6000 (2700)		
	157 (4000)	77.6 (1972)	182.3 (4630)	205.2 (5212)	38.3 (972)	26.7 (678)	6	6	6000 (2700)		
3 Stage (FFL)	177 (4500)	84.2 (2139)	201.9 (5128)	224.8 (5710)	44.8 (1138)	33.3 (845)	6	6	5720 (2600)		
	189 (4800)	88.1 (2239)	214.9 (5458)	237.8 (6040)	48.7 (1238)	37.2 (945)	6	6	5500 (2500)		
PFD36 / PFG36											
2 Stage	130 (3300)	87.8 (2229)	158.4 (4023)	178.0 (4520)	0.0 (0)	0.0 (0)	6	12	7810 (3550)		
	157 (4000)	101.5 (2579)	185.9 (4723)	205.5 (5220)	0.0 (0)	0.0 (0)	6	6	7810 (3550)		
2 Stage (FFL)	130 (3300)	87.8 (2229)	155.0 (3938)	178.0 (4520)	42.5 (1080)	37.2 (945)	6	12	7810 (3550)		
	157 (4000)	77.6 (1972)	182.3 (4630)	205.2 (5212)	38.3 (972)	26.7 (678)	6	6	7370 (3350)		
3 Stage (FFL)	177 (4500)	84.2 (2139)	201.9 (5128)	224.8 (5710)	44.8 (1138)	33.3 (845)	6	6	6820 (3100)		
	189 (4800)	88.1 (2239)	214.9 (5458)	237.8 (6040)	48.7 (1238)	37.2 (945)	6	6	6380 (2900)		

* This is only for reference and not subject to notice in advance if there is any modification.



DOC. S/N: DEB076-08



9L PLUS II 1.8~3.5 TON

FEATURES Better Than Ever

These forklifts are Tailift's top-selling products, with a good reason! They were built specifically for terrain versatility and heavy lifting. Durability and reliability were our top priorities when designing these forklifts. Showcasing the latest advancements from Tailift, the user experience is better than ever.

The newly updated design is sure to meet the requirements of any worksite in terms of quality, performance, and efficiency. Improvements include LED efficient lighting, low-emission engines, and new transmissions. Our versatile 9L Plus II Pneumatic forklifts feature a 1.8 to 3.5 ton lifting capacity.

Emissions

Now with Kubota engines that comply with the latest EPA Tier 4 + EU Stage V regulations. The advanced EPA Tier 4 technology produces cleaner emissions and improved performance to exceed customers' expectations.



HEAVY-DUTY CHASSIS

Durability is ensured with our no-bolt design. Our chassis were built with safety in mind, these integral heavy-duty chassis give the driver more protection from falling loads.



EASY MAINTENANCE

- Open hood space increased! Enlarged, 80-degree angle, maintenance space makes service more accessible than ever.
- Durable and heat-resistant iron engine hood, able to withstand 450 kg.
- LPG tank brackets, designed to make propane change-outs quick and easy.
- Integrated engine hood latches are durable and easily opened.
- Compact fuse boxes for easy and quick inspections.
- Easy to change the air filter.



CLEAR VISIBILITY

- Slotted Overhead Guard
- High Visibility Mast
- Open Rear Visibility
- Lowered Lift Cylinder



KUBOTA ENGINE

High-performance Z-Series internal components provide operators with reliable lifting power.



LED LIGHTS

These power-efficient and sleek new LED lights last longer and are brighter than our previous designs!



SUSPENSION SEAT

Our improved seat design can be easily adjusted and prioritizes comfort! The seat easily moves forward and back with an adjustable backrest and retractable seat belt.



NON-SLIP ENTRY STEP

Increased foot space and non-slip grip make it safer to get on and off the forklift.



ADJUSTABLE STEERING WHEEL COLUMN

Easily tilted and adjusted to provide an ideal operating position and increased comfort !



HIDDEN TILT CYLINDER

To reduce scraping, enlarge access space, and improve design, tilt cylinders are internally stored.



LCD INSTRUMENT PANEL

Large and easy to read, this instrument panel is in the optimal position for legibility. The display has multiple indicators to keep the operator informed on the forklift's functions.



REAR ASSIST GRIP WITH HORN BUTTON

Rear grip handles are equipped with a horn button for easy access while traveling in reverse. NOW on all-new Z Series forklifts !