

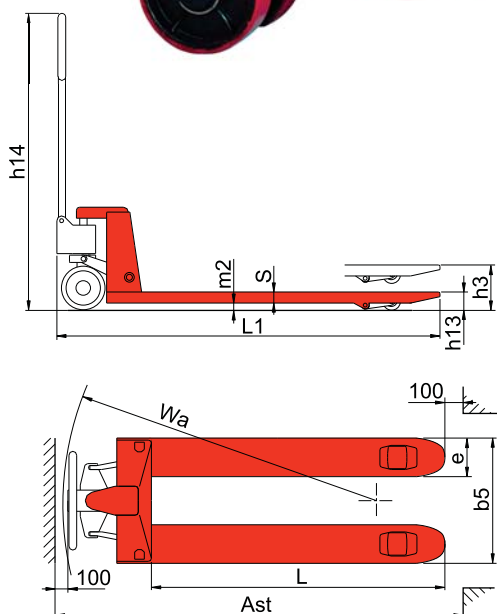
## Model : T-DF-III

1 kg = 2.205 lb 1 inch = 25.4 mm

Model		T-DF-III-25	T-DF-III-30
Capacity	Q (kg)	2500	3000
Lowered fork height	h13 (mm)	75 ( 85 )	75 ( 85 )
Steering wheel	mm	φ 160 ( φ 180 )	φ 160 ( φ 180 )
Fork wheel single	mm	φ 70 x 80	φ 70 x 80
Fork wheel tandem	mm	φ 70 x 60	φ 70 x 60
Max. lift height	h3 (mm)	190 ( 200 )	190 ( 200 )
Total height	h14 (mm)	1176.5 ( 1186.5 )	1176.5 ( 1186.5 )
Overall length	L1 (mm)	1520 / 1590	1520 / 1590
Fork length	L (mm)	1150 / 1220	1150 / 1220
Fork width	e (mm)	150	150
Width overall forks	b5 (mm)	520 / 550 / 685	520 / 550 / 685
Ground clearance, centre of wheelbase	m2 (mm)	22 ( 32 )	22 ( 32 )
Aisle width for pallets 1000x1200 crossways	Ast (mm)	1720 / 1790	1720 / 1790
Aisle width for pallets 800x1200 lengthways	Ast (mm)	1770 / 1790	1770 / 1790
Turning radius	Wa (mm)	1265 / 1335	1265 / 1335
Service weight	kg	55 ~ 65	55 ~ 65

**Remark :**

1. Capacity 2000kg available.
2. Special size fork width and length can be made according to customer's requirement.



### Standard type pallet truck

- Chrome piston and ram for smooth operation and prevents excessive wear on the pump & seal.
- Excellent turning angle of 180 degrees facilities.
- Number of pump strokes-10 times. Lift height per stroke : 11 mm.
- **Option:**
  - 1) Nylon wheel, polyurethane wheel, rubber wheel, single fork roller or tandem fork rollers.
  - 2) Fork length : 800mm, 900mm, 1000mm.

